

B0155-9993

Fire Rescue Jeep

Advanced Series 12 Volt

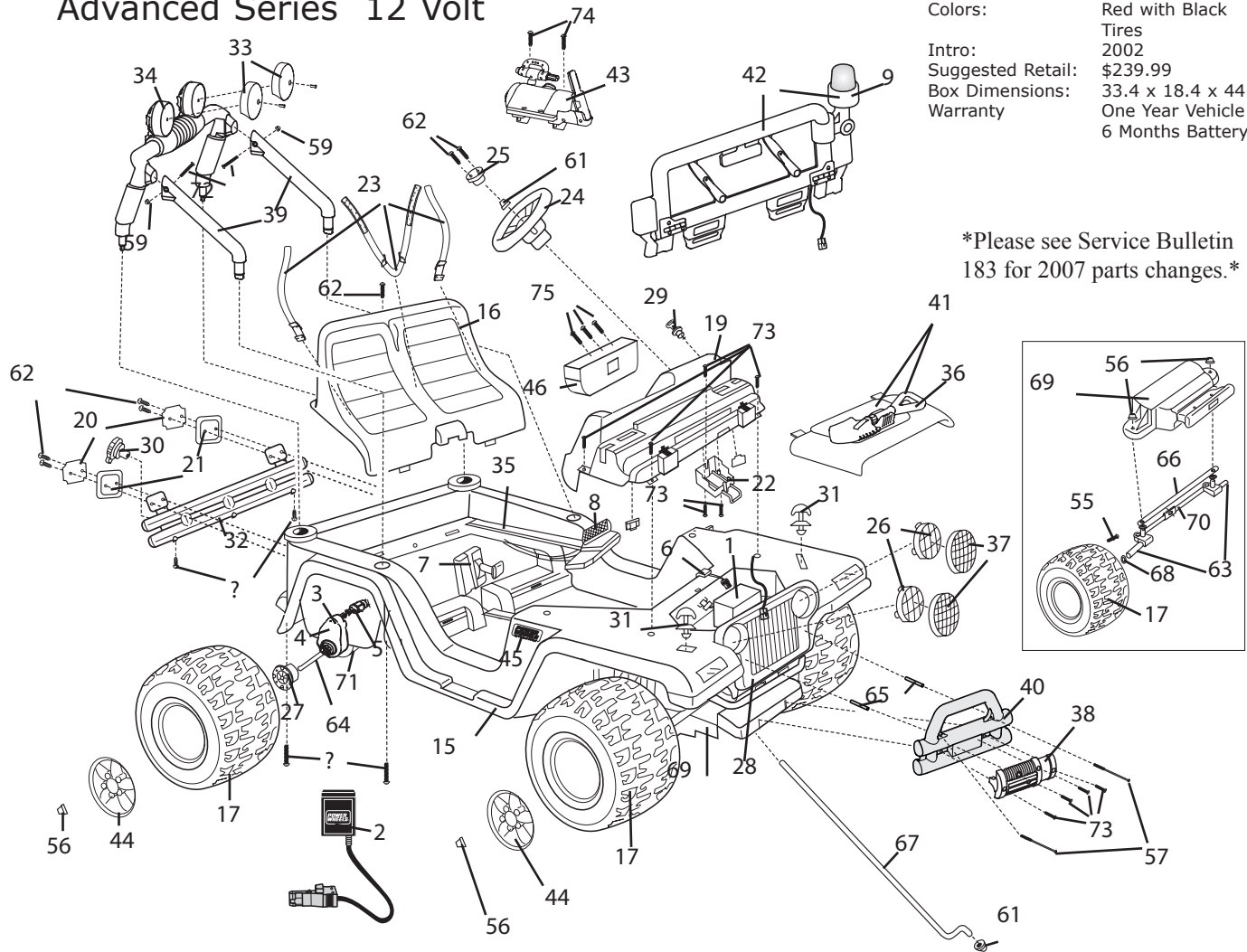


Age Range: 3-7 years
 Weight Limit: 130 lbs
 Surfaces: Hard and grass
 Speed:

2.5 and 5.0 Forward
 2.5 Reverse

Colors: Red with Black
 Tires

Intro: 2002
 Suggested Retail: \$239.99
 Box Dimensions: 33.4 x 18.4 x 44.8
 Warranty: One Year Vehicle
 6 Months Battery



Please see Service Bulletin 183 for 2007 parts changes.

Item No.	Description	Part No.	Qty. Item	Part	No. Qty.	Description	No.	
Working / Electrical Parts				31	2	Hood Latch Assm.	78490-9559	
1	12V Battery	00801-0638	1	32	1	Rear Bumper	B0155-2039	
2	Charger fused charger (probe)	00801-0972	1	33	2	Light Cover	B0155-2069	
3	Motor Gearbox Assembly	00968-2909	2	34	1	Rollbar	B0155-2219	
4	Gearbox W/out Motor	00968-2805	2	35	1	Channel cover	B0155-2289	
5	Motor Pinion Assembly	00968-2701	2	36	1	Shovel	B0155-2449	
6	Main Harness Assembly	78490-9699	1	37	2	Headlight Guard	B0155-2539	
7	Shifter Assm.	74310-9239	1	38	1	Winch	B0155-2649	
8	Footboard Assm.	75840-9829	1	39	2	Sportbar Support	B0155-2769	
9	Light Assm.(bulb & light harness)	B0155-9479	1	40	1	Brushguard	B0155-2789	
Plastic / Other Parts				41	1	Hood with Shovel	B0155-9129D	
15	Body N/A	B0155-2909	1	42	1	Windshield with Light Assm (include bulb & light harness)	B0155-9609D	
16	Seat	78490-2319	1	43	1	Water Cannon Assm.	B0155-9809	
17	Wheel	74460-2459	4	44	4	Hubcap	B1501-2579	
19	Dash w/sound unit	3800-7131	1	45	2	PW Emblem	74460-9069	
20	Lens Set Taillight	73233-2279	1	46	1	Sound Box	B0155-9419	
21	Housing Set Taillight	73233-2759	2	Hardware / Metal Parts				
22	Battery Retainer Box Assm	74020-9819	1	55	2	Washer 7/16	0801-0196	
23	Seat Belt (3 Pc)	74310-5339	1	56	4	Cap Nut Black .437	0801-0226	
24	Steering Wheel	74440-2379	1	57	2	Trusshead screw 8x7/8	0801-0228	
25	Steering Wheel Cap	74550-2729	1	58	2	#12 x 1.25 N/A	0801-0260	
26	Headlight Lens Blue	74440-2879	2	59	2	nylock nut 5/16	0801-0601	
27	Wheel Driver	74460-2249	2	60	2	5/16 5 1/2 hex bolt N/A	0801-0605	
28	Grill Black	74460-2849	1	61	2	Steering Column Cap	00801-1620	
29	Key Housing Assm.	74765-9369	1	62	9	Screw #8 3/4	0912-8001	
30	Gas Cap	75597-2089	1	Parts Not Shown				
N/A = Not Available				Large Parts Bag				B0155-9269
				Small Parts Bag				B0155-9259
				Hardware Bag				B0155-9289
				Owners Manual				B0155-0920
				Decal Sheet				B0155-0310
				Footswitch Plunger				00801-0933
				Adhesive clip (Harness)				0801-0313
				Wire Clip				B0155-4489
				Switch Control (Shifter-Rocker)				00801-0923